



Main

Range of product	TeSys D
Range	TeSys
Product name	TeSys D
Product or component type	Reversing contactor
Device short name	LC2D
Contacteur application	Resistive load Motor control
Utilisation category	AC-1 AC-3
Device presentation	Preassembled with reversing power busbar
Poles description	3P
Pole contact composition	3 NO
[Ue] rated operational voltage	<= 300 V DC for power circuit <= 690 V AC 25...400 Hz for power circuit
[Ie] rated operational current	25 A (<= 60 °C) at <= 440 V AC AC-1 for power circuit 9 A (<= 60 °C) at <= 440 V AC AC-3 for power circuit
Motor power kW	4 kW at 380...400 V AC 50/60 Hz 2.2 kW at 220...230 V AC 50/60 Hz 5.5 kW at 500 V AC 50/60 Hz 5.5 kW at 660...690 V AC 50/60 Hz 4 kW at 415...440 V AC 50/60 Hz
Motor power hp	0.5 hp at 115 V AC 50/60 Hz for 1 phase motors 1 hp at 230/240 V AC 50/60 Hz for 1 phase motors 2 hp at 200/208 V AC 50/60 Hz for 3 phases motors 2 hp at 230/240 V AC 50/60 Hz for 3 phases motors 5 hp at 460/480 V AC 50/60 Hz for 3 phases motors 7.5 hp at 575/600 V AC 50/60 Hz for 3 phases motors
Control circuit type	AC 50/60 Hz
Control circuit voltage	110 V AC 50/60 Hz
Auxiliary contact composition	1 NO + 1 NC
[Uimp] rated impulse withstand voltage	6 kV conforming to IEC 60947

Disclaimer: This documentation is not intended as a substitute for and is not to be used for determining suitability or reliability of these products for specific user applications

Overvoltage category	III
[Ith] conventional free air thermal current	25 A at ≤ 60 °C for power circuit 10 A at ≤ 60 °C for signalling circuit
Irms rated making capacity	250 A at 440 V for power circuit conforming to IEC 60947 140 A AC for signalling circuit conforming to IEC 60947-5-1 250 A DC for signalling circuit conforming to IEC 60947-5-1
Rated breaking capacity	250 A at 440 V for power circuit conforming to IEC 60947
[Icw] rated short-time withstand current	105 A ≤ 40 °C 10 s power circuit 210 A ≤ 40 °C 1 s power circuit 30 A ≤ 40 °C 10 min power circuit 61 A ≤ 40 °C 1 min power circuit 100 A 1 s signalling circuit 120 A 500 ms signalling circuit 140 A 100 ms signalling circuit
Associated fuse rating	20 A gG at ≤ 690 V coordination type 2 for power circuit 25 A gG at ≤ 690 V coordination type 1 for power circuit 10 A gG for signalling circuit conforming to IEC 60947-5-1
Average impedance	2.5 mOhm at 50 Hz - Ith 25 A for power circuit
[Ui] rated insulation voltage	600 V for power circuit certifications CSA 600 V for power circuit certifications UL 690 V for power circuit conforming to IEC 60947-4-1 690 V for signalling circuit conforming to IEC 60947-1 600 V for signalling circuit certifications CSA 600 V for signalling circuit certifications UL
Electrical durability	0.6 Mcycles 25 A AC-1 at Ue ≤ 440 V 2 Mcycles 9 A AC-3 at Ue ≤ 440 V
Power dissipation per pole	0.2 W AC-3 1.56 W AC-1
Protective cover	With
Interlocking type	Mechanical
Mounting support	Rail Plate
Standards	CSA C22.2 No 14 EN 60947-4-1 EN 60947-5-1 IEC 60947-4-1 IEC 60947-5-1 UL 508
Product certifications	GOST DNV BV RINA LROS GL CSA UL CCC
Connections - terminals	Control circuit : screw clamp terminals 2 cable(s) 1...2.5 mm ² - cable stiffness: flexible - with cable end Power circuit : screw clamp terminals 1 cable(s) 1...4 mm ² - cable stiffness: flexible - with cable end Control circuit : screw clamp terminals 1 cable(s) 1...4 mm ² - cable stiffness: flexible - without cable end Control circuit : screw clamp terminals 2 cable(s) 1...4 mm ² - cable stiffness: flexible - without cable end Control circuit : screw clamp terminals 1 cable(s) 1...4 mm ² - cable stiffness: flexible - with cable end Control circuit : screw clamp terminals 1 cable(s) 1...4 mm ² - cable stiffness: solid - without cable end Control circuit : screw clamp terminals 2 cable(s) 1...4 mm ² - cable stiffness: solid - without cable end Power circuit : screw clamp terminals 1 cable(s) 1...4 mm ² - cable stiffness: flexible - without cable end Power circuit : screw clamp terminals 2 cable(s) 1...4 mm ² - cable stiffness: flexible - without cable end Power circuit : screw clamp terminals 2 cable(s) 1...2.5 mm ² - cable stiffness: flexible - with cable end Power circuit : screw clamp terminals 1 cable(s) 1...4 mm ² - cable stiffness: solid - without cable end Power circuit : screw clamp terminals 2 cable(s) 1...4 mm ² - cable stiffness: solid - without cable end
Tightening torque	Power circuit : 1.7 N.m - on screw clamp terminals - with screwdriver flat Ø 6 mm Power circuit : 1.7 N.m - on screw clamp terminals - with screwdriver Philips No 2 Control circuit : 1.7 N.m - on screw clamp terminals - with screwdriver flat Ø 6 mm Control circuit : 1.7 N.m - on screw clamp terminals - with screwdriver Philips No 2

Operating time	4...19 ms opening 12...22 ms closing
Safety reliability level	B10d = 1369863 cycles contactor with nominal load conforming to EN/ISO 13849-1 B10d = 20000000 cycles contactor with mechanical load conforming to EN/ISO 13849-1
Mechanical durability	15 Mcycles
Operating rate	3600 cyc/h at ≤ 60 °C


Complementary

Coil technology	Without built-in suppressor module
Control circuit voltage limits	0.3...0.6 Uc drop-out at 60 °C, AC 50/60 Hz 0.8...1.1 Uc operational at 60 °C, AC 50 Hz 0.85...1.1 Uc operational at 60 °C, AC 60 Hz
Inrush power in VA	70 VA at 20 °C (cos ϕ 0.75) 60 Hz 70 VA at 20 °C (cos ϕ 0.75) 50 Hz
Hold-in power consumption in VA	7.5 VA at 20 °C (cos ϕ 0.3) 60 Hz 7 VA at 20 °C (cos ϕ 0.3) 50 Hz
Heat dissipation	2...3 W at 50/60 Hz
Auxiliary contacts type	Type mechanically linked (1 NO + 1 NC) conforming to IEC 60947-5-1 Type mirror contact (1 NC) conforming to IEC 60947-4-1
Signalling circuit frequency	25...400 Hz
Minimum switching current	5 mA for signalling circuit
Non-overlap time	1.5 ms on de-energisation (between NC and NO contact) 1.5 ms on energisation (between NC and NO contact)
Insulation resistance	> 10 MOhm for signalling circuit
Motor power range AC-3	1.1...2 kW 200...240 V 3 phases 2.2...3 kW 380...440 V 3 phases 4...6 kW 380...440 V 3 phases 4...6 kW 480...500 V 3 phases
Motor starter type	Reversing contactor
Contactor coil voltage	110 V AC

Environment


IP degree of protection	IP20 front face conforming to IEC 60529
Protective treatment	TH conforming to IEC 60068-2-30
Pollution degree	3
Ambient air temperature for operation	-20...60 °C
Ambient air temperature for storage	-60...80 °C
Permissible ambient air temperature around the device	-40...70 °C at Uc
Operating altitude	3000 m without derating in temperature
Fire resistance	850 °C conforming to IEC 60695-2-1
Flame retardance	V1 conforming to UL 94
Mechanical robustness	Vibrations contactor open 2 Gn, 5...300 Hz Vibrations contactor closed 4 Gn, 5...300 Hz Shocks contactor open 10 Gn for 11 ms Shocks contactor closed 15 Gn for 11 ms
Height	77 mm
Width	90 mm
Depth	86 mm
Product weight	0.687 kg

Offer Sustainability

Sustainable offer status	Green Premium product
RoHS (date code: YYWW)	Compliant - since 0627 - Schneider Electric declaration of conformity  Schneider Electric declaration of conformity
REACH	Reference not containing SVHC above the threshold

Reference not containing SVHC above the threshold

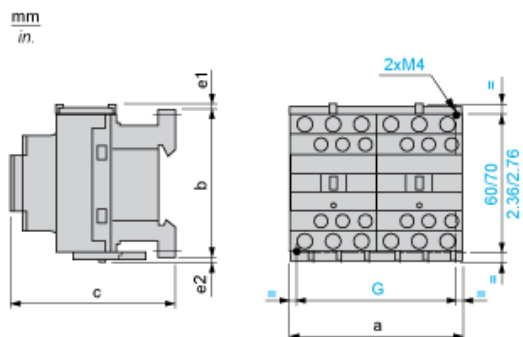
Product environmental profile	Available  Product environmental
-------------------------------	--

Product end of life instructions	Available  End of life manual
----------------------------------	---

Contractual warranty

Warranty period	18 months
-----------------	-----------

Dimensions

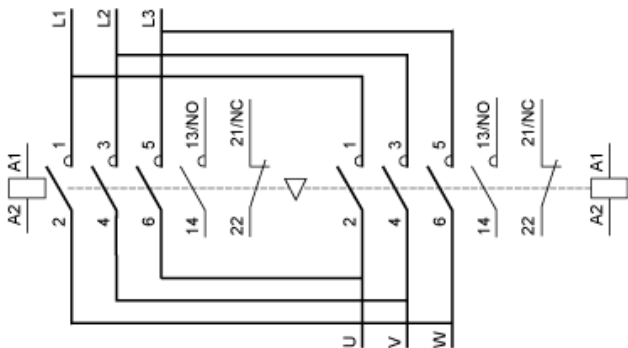


LC2 or 2 x LC1	a	b	c ⁽¹⁾	e1	e2	G
D09 to D18 (AC)	90	77	86	4	1.5	80
D093 to D123 (AC)	90	99	86	–	–	80
D09 to D18 (DC)	90	77	95	4	1.5	80
D093 to D123 (DC)	90	99	95	–	–	80
D25 to D38 (AC)	90	85	92	9	5	80
D183 to D383 (AC)	90	99	92	–	–	80
D25 to D32 (DC)	90	85	101	9	5	80
D183 to D383 (DC)	90	99	101	–	–	80

e1 and e2: including cabling.

(1) With safety cover, without add-on block.



Wiring



<!-- File : MPC-LC2D09F7-BOM.xml , Range ID : 664, Reference ID : LC2D09F7 -->

Our Proposal - Type 1 : Circuit Breaker + Contactor for Motor Power from 0,06 to 4 kW and 415 VAC

<!-- DataBOM 2 Template BEGIN -->

Motor Power (kW)	Icu (kA)	Breaker	Contactor
0.06	> 100	 GV2ME02	 LC2D09F7
0.09	> 100	GV2ME03	LC2D09F7
0.12	> 100	GV2ME04	LC2D09F7
0.18	> 100	GV2ME04	LC2D09F7
0.25	> 100	GV2ME05	LC2D09F7
0.37	> 100	GV2ME05	LC2D09F7
0.55	> 100	GV2ME06	LC2D09F7
0.75	> 100	GV2ME07	LC2D09F7
1.1	> 100	GV2ME08	LC2D09F7
1.5	> 100	GV2ME08	LC2D09F7
2.2	> 100	GV2ME10	LC2D09F7
3	> 100	GV2ME14	LC2D09F7
4	> 100	GV2ME14	LC2D09F7

Non contractual pictures. Type 1 coordination requires that in a short-circuit condition, the contactor or starter must not present any danger to personnel or installations and must not be able to resume operation without repair or the replacement of parts.

<!-- DataBOM 2 Template END --> <!-- No Variants -->